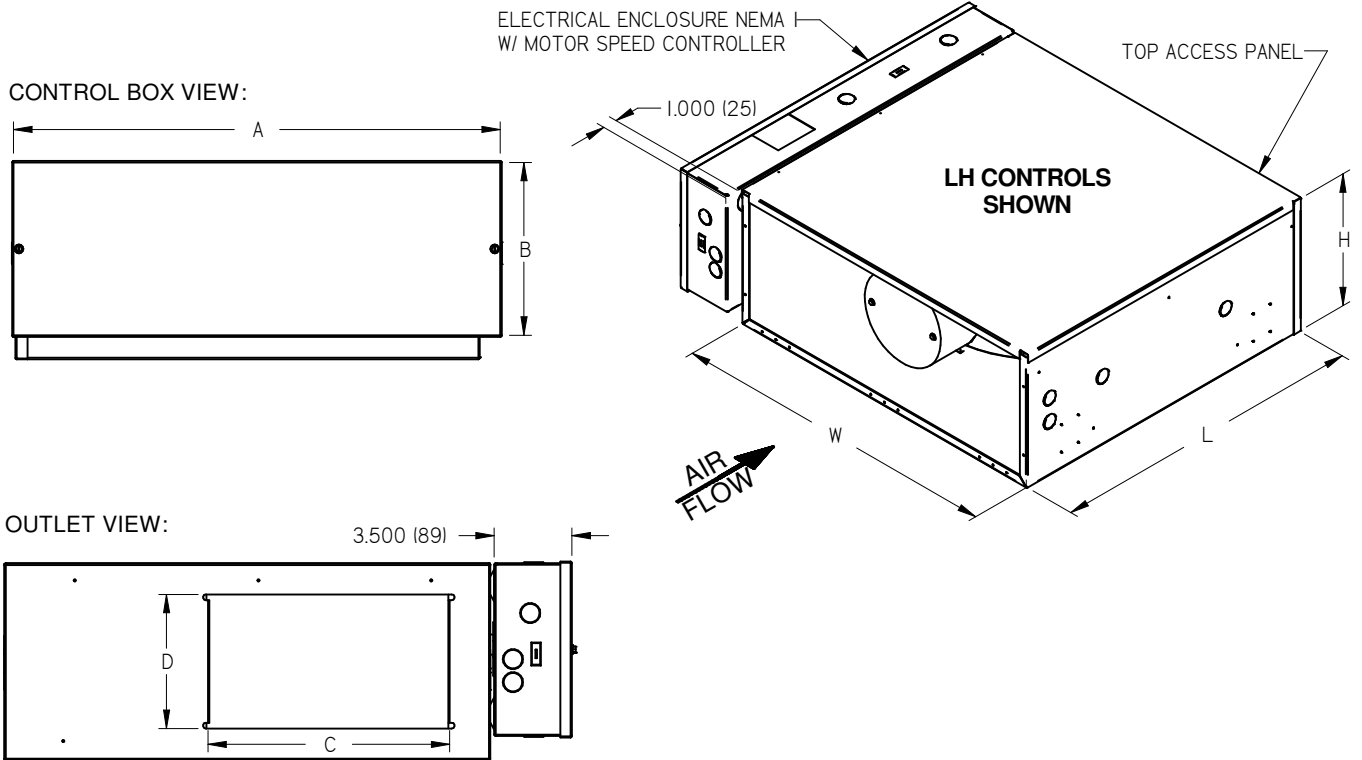


FDU BOOSTER CONFIGURATION



UNIT SIZE	UNIT DIMENSIONS			ENCLOSURE		OUTLET		MOTOR HP	ECM MOTOR FULL LOAD AMPS			
	L	W	H	A	B	C	D		115V	208V	240V	277V
	in. (mm)	in. (mm)	in. (mm)	in. (mm)	in. (mm)	in. (mm)	in. (mm)					
10	20 (508)	21 (533)	7.5 (191)	21 (533)	7.5 (191)	10.375 (264)	5.875 (149)	1/3	2.9	1.9	1.7	1.5
20	20 (508)	21 (533)	8.5 (216)	21 (533)	7.5 (191)	10.375 (264)	5.875 (149)	1/3	6.7	4.2	3.7	3.5
30	20 (508)	21 (533)	10 (254)	21 (533)	10 (254)	11.500 (292)	6.875 (175)	1/2	7.6	5.2	4.6	4.2
40	20 (508)	21 (533)	12.5 (318)	21 (533)	10 (254)	11.500 (292)	8.250 (210)	3/4	11.0	7.0	6.2	5.9

STANDARD CONSTRUCTION:

- 20 GA. ZINC COATED GALVANIZED STEEL CASING
- FIBERGLASS INSULATION 1/2" (13) THICK, MIN. 1.5LB/FT³
- LEFT HAND CONTROLS - SHOWN ABOVE
- ECM MOTOR, 1 PHASE, 60 CYCLE
- STANDARD SPEED CONTROLLER INCLUDED
- LISTED UL1995 & CSA236 ASSEMBLY
- MINIMUM 0.05" EXTERNAL S.P TO OPERATE

UNIT OPTIONS:

- PRICE UMCB CONTROLS
- ECM DLX SPEED CONTROLLER
- DISCONNECT SWITCH (DSW)
- MOTOR FUSING (MFUS)
- CIRCUIT FUSING (CCF)
- TRANSFORMER
- 1/2" FIBER FREE LINER (FF50)

ACCESSORY OPTIONS:

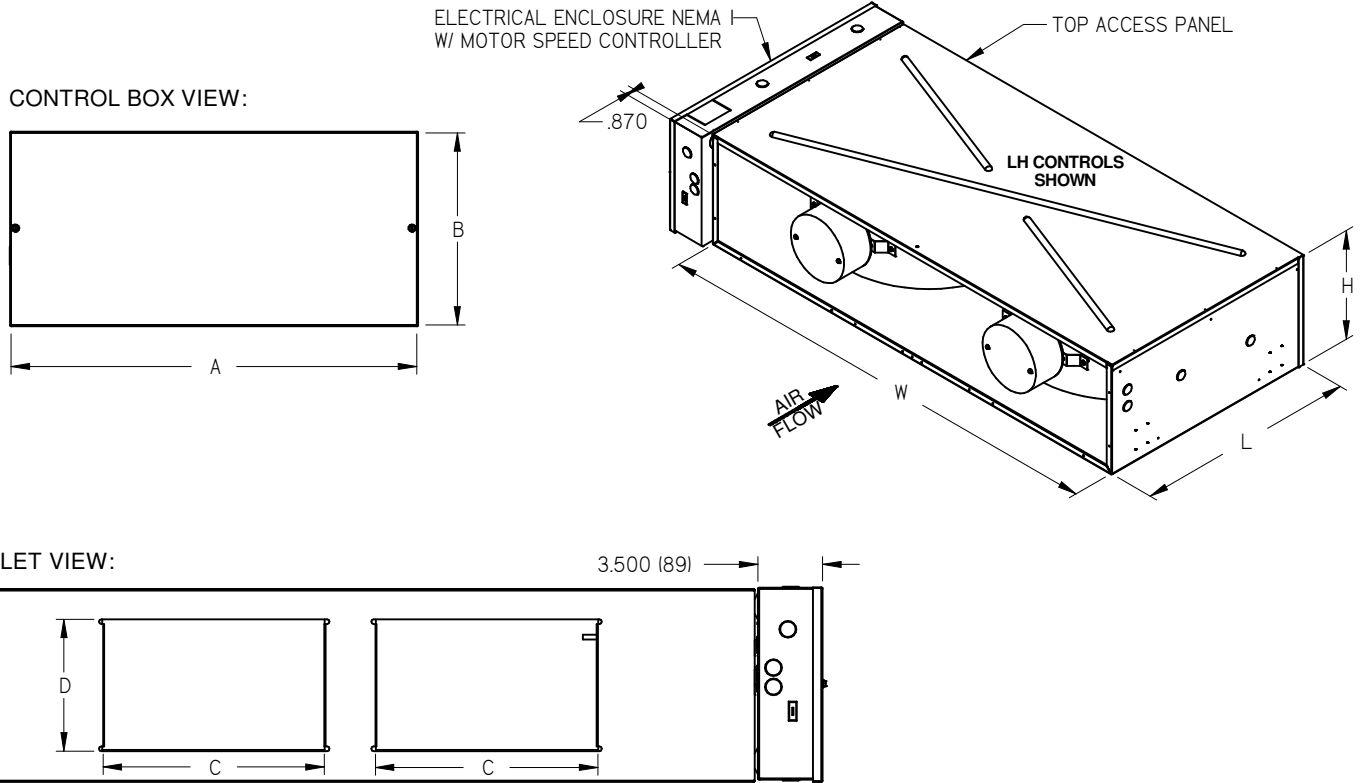
- DISCHARGE COLLAR (DC)
- DISCHARGE ATTENUATOR (DAS)
- MERV3 INLET FILTER
- SUPPORT BRACKETS (SB)
- CBC COMPLIANT CONTROLS ENCLOSURE (CBC)
- PROTECTIVE SHROUD (PS)



ALL METRIC DIMENSIONS () ARE SOFT CONVERTED. IMPERIAL DIMENSIONS ARE CONVERTED TO METRIC AND ROUNDED TO THE NEAREST MILLIMETER.

PROJECT:		FDU UNDERFLOOR FAN POWERED BOOSTER CONFIGURATION SIZE 10-40
ENGINEER:		
CUSTOMER:		
SUBMITTAL DATE:	SPEC. SYMBOL:	
		NS 270518 2021/05/19

FDU BOOSTER CONFIGURATION



UNIT SIZE	UNIT DIMENSIONS			ENCLOSURE		OUTLET		ECM MOTOR				
	L	W	H	A	B	C	D	MOTOR	FULL LOAD AMPS			
	in. (mm)	in. (mm)	in. (mm)	in. (mm)	in. (mm)	in. (mm)	in. (mm)	HP	115V	208V	240V	277V
50	20 (508)	42 (1067)	10 (254)	21 (533)	10 (254)	11.500 (292)	6.875 (175)	2 X 1/2	13.3	9.2	8.1	7.5

STANDARD CONSTRUCTION:

- 20 GA. ZINC COATED GALVANIZED STEEL CASING
- FIBERGLASS INSULATION 1/2" (13) THICK, MIN. 1.5LB/FT³
- LEFT HAND CONTROLS - SHOWN ABOVE
- ECM MOTOR, 1 PHASE, 60 CYCLE
- STANDARD SPEED CONTROLLER INCLUDED
- LISTED UL1995 & CSA236 ASSEMBLY

UNIT OPTIONS:

- PRICE UMCB CONTROLS
- ECM DLX SPEED CONTROLLER
- DISCONNECT SWITCH (DSW)
- MOTOR FUSING (MFUS)
- CIRCUIT FUSING (CCF)
- TRANSFORMER

ACCESSORY OPTIONS:

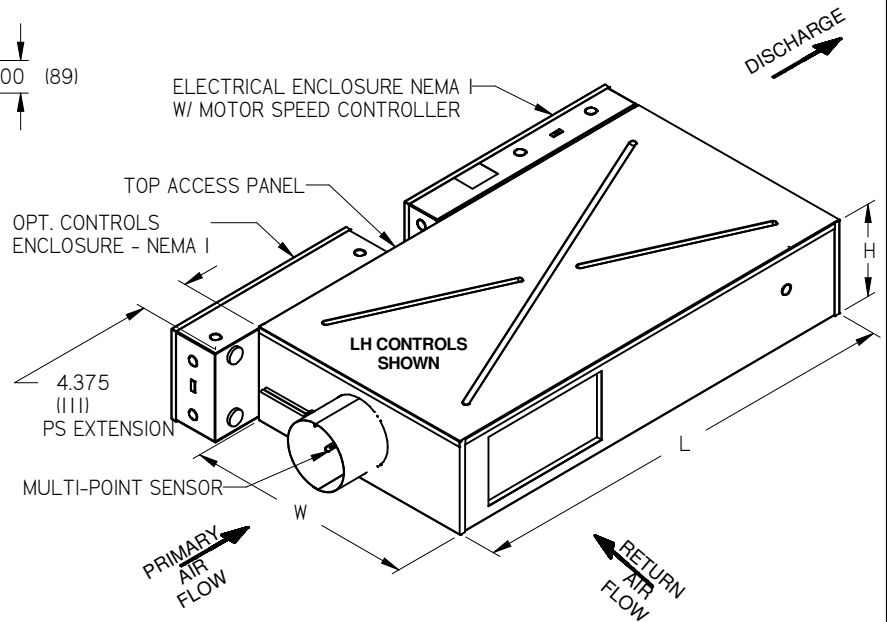
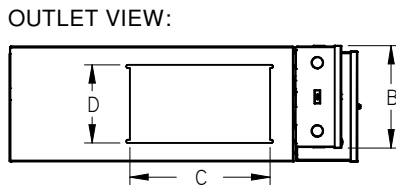
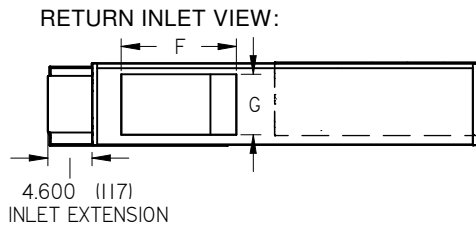
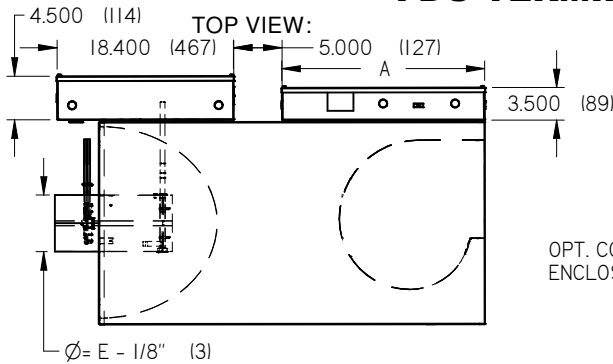
- DISCHARGE COLLAR (DC)
- DISCHARGE ATTENUATOR (DAS)
- MERV3 INLET FILTER
- SUPPORT BRACKETS (SB)
- CBC COMPLIANT CONTROLS ENCLOSURE (CBC)
- PROTECTIVE SHROUD (PS)



ALL METRIC DIMENSIONS () ARE SOFT CONVERTED. IMPERIAL DIMENSIONS ARE CONVERTED TO METRIC AND ROUNDED TO THE NEAREST MILLIMETER.

PROJECT:		<p>FDU UNDERFLOOR FAN POWERED BOOSTER CONFIGURATION SIZE 50</p>
ENGINEER:		
CUSTOMER:		
SUBMITTAL DATE:	SPEC. SYMBOL:	
		NS 270518 2021/05/19

FDU TERMINAL CONFIGURATION



UNIT SIZE	UNIT DIMENSIONS			ENCLOSURE		OUTLET		PRIMARY	RETURN	
	L in. (mm)	W in. (mm)	H in. (mm)	A in. (mm)	B in. (mm)	C in. (mm)	D in. (mm)	E in. (mm)	F in. (mm)	G in. (mm)
10	40 (1016)	21 (533)	7.5 (191)	21 (533)	7.5 (191)	10.375 (264)	5.875 (149)	4,5,6 (102,127,152)*	12 (305)	6.31(160)
20	40 (1016)	21 (533)	8.5 (216)	21 (533)	7.5 (191)	10.375 (264)	5.875 (149)	4,5,6 (102,127,152)*	12 (305)	6.31(160)
30	40 (1016)	21 (533)	10 (254)	21 (533)	10 (254)	11.500 (292)	6.875 (175)	5,6,8 (127,152,203)	14 (356)	7.81(198)
40	40 (1016)	21 (533)	12.5 (318)	21 (533)	10 (254)	11.500 (292)	8.250 (210)	6,8,10 (152,203,254)	16 (406)	10.31(262)

MOTOR HP	ECM MOTOR FULL LOAD AMPS			
	115V	208V	240V	277V
1/3	2.9	1.9	1.7	1.6
1/3	6.7	4.3	3.8	3.6
1/2	7.4	4.7	4.2	4.0
3/4	11.1	7.1	6.2	5.7



*4in./5in. (102/127) INLETS USE 6in.(152) DUCT WITH REDUCER

STANDARD CONSTRUCTION:

- 20 GA. ZINC COATED GALVANIZED STEEL CASING
- FIBERGLASS INSULATION 1/2" (13) THICK, MIN. 1.5LB/FT³
- LEFT HAND CONTROLS - SHOWN ABOVE
- ECM MOTOR, 1 PHASE, 60 CYCLE
- STANDARD SPEED CONTROLLER INCLUDED
- LISTED UL1995 & CSA236 ASSEMBLY
- MINIMUM 0.1" EXTERNAL S.P TO OPERATE

UNIT OPTIONS:

- PRICE UMCB CONTROLS
- ECM DLX SPEED CONTROLLER
- DISCONNECT SWITCH (DSW)
- MOTOR FUSING (MFUS)
- CIRCUIT FUSING (CCF)
- TRANSFORMER
- 1/2" FIBER FREE LINER (FF50)

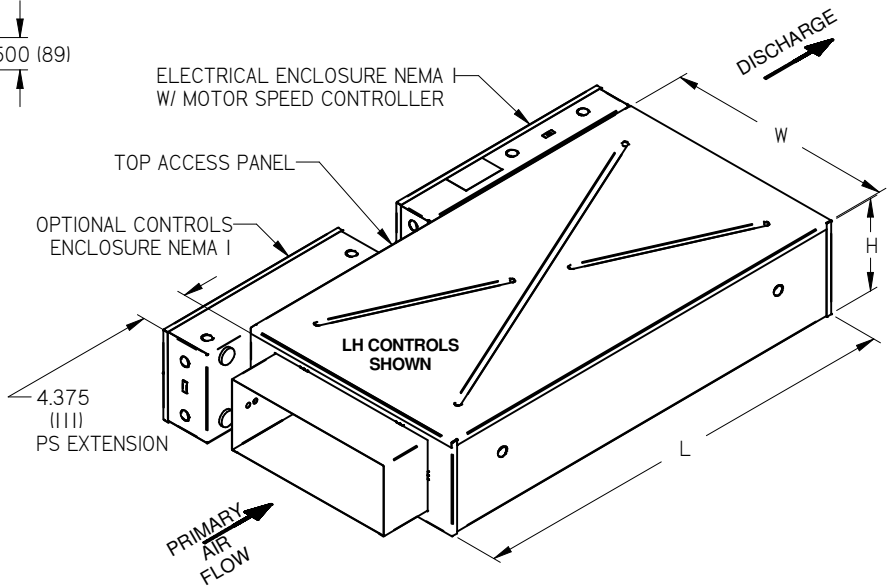
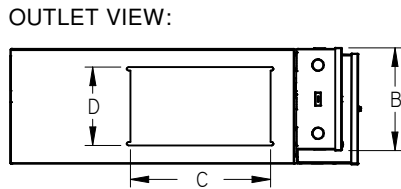
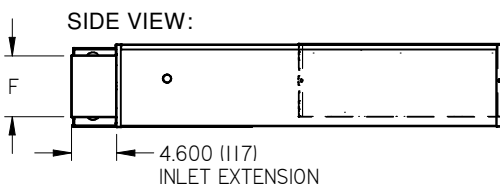
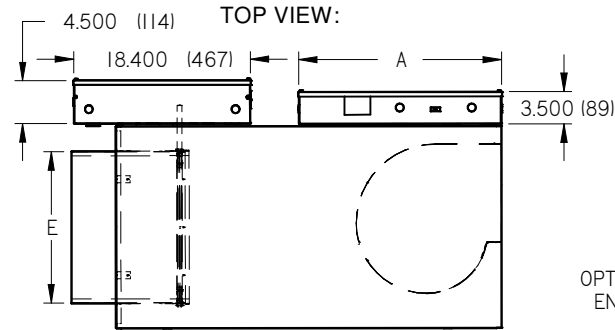
ACCESSORY OPTIONS:

- DISCHARGE COLLAR (DC)
- DISCHARGE ATTENUATOR (DAS)
- MERV3 INLET FILTER
- SUPPORT BRACKETS (SB)
- CBC COMPLIANT CONTROLS ENCLOSURE (CBC)
- PROTECTIVE SHROUD (PS)
- RETURN DAMPER (RD)

ALL METRIC DIMENSIONS () ARE SOFT CONVERTED. IMPERIAL DIMENSIONS ARE CONVERTED TO METRIC AND ROUNDED TO THE NEAREST MILLIMETER.

PROJECT:		PRICE
ENGINEER:		
CUSTOMER:		FDU
SUBMITTAL DATE:		UNDERFLOOR FAN POWERED TERMINAL CONFIGURATION SIZE 10-40
SPEC. SYMBOL:		

FDU BOOSTER WITH INLET DAMPER



UNIT SIZE	UNIT DIMENSIONS			ENCLOSURE		OUTLET		INLET	
	L	W	H	A	B	C	D	E	F
	in. (mm)	in. (mm)	in. (mm)	in. (mm)	in. (mm)	in. (mm)	in. (mm)	in. (mm)	in. (mm)
10	40 (1016)	21 (533)	7.5 (191)	21 (533)	7.500 (191)	10.375 (264)	5.875 (149)	15.78 (401)	5.5 (140)
20	40 (1016)	21 (533)	8.5 (216)	21 (533)	7.500 (191)	10.375 (264)	5.875 (149)	15.78 (401)	6.5 (165)
30	40 (1016)	21 (533)	10 (254)	21 (533)	10.000 (254)	11.500 (292)	6.875 (175)	15.78 (401)	8.0 (203)
40	40 (1016)	21 (533)	12.5 (318)	21 (533)	10.000 (254)	11.500 (292)	8.250 (210)	15.78 (401)	10.5 (267)

STANDARD CONSTRUCTION:

- 20 GA. ZINC COATED GALVANIZED STEEL CASING
- FIBERGLASS INSULATION 1/2" (13) THICK, MIN. 1.5LB/FT³
- LEFT HAND CONTROLS - SHOWN ABOVE
- ECM MOTOR, 1 PHASE, 60 CYCLE
- STANDARD SPEED CONTROLLER INCLUDED
- LISTED UL1995 & CSA236 ASSEMBLY
- MINIMUM 0.05" EXTERNAL S.P TO OPERATE

UNIT OPTIONS:

- PRICE UMCB CONTROLS
- ECM DLX SPEED CONTROLLER
- DISCONNECT SWITCH (DSW)
- MOTOR FUSING (MFUS)
- CIRCUIT FUSING (CCF)
- TRANSFORMER
- 1/2" FIBER FREE LINER (FF50)

ACCESSORY OPTIONS:

- DISCHARGE COLLAR (DC)
- DISCHARGE ATTENUATOR (DAS)
- MERV3 INLET FILTER
- SUPPORT BRACKETS (SB)
- CBC COMPLIANT CONTROLS ENCLOSURE (CBC)
- PROTECTIVE SHROUD (PS)



ALL METRIC DIMENSIONS () ARE SOFT CONVERTED. IMPERIAL DIMENSIONS ARE CONVERTED TO METRIC AND ROUNDED TO THE NEAREST MILLIMETER.

PROJECT:		PRICE
ENGINEER:	NS	
CUSTOMER:	270520	FDU UNDERFLOOR FAN POWERED BOOSTER WITH INLET DAMPER CONFIGURATION SIZE 10-40
SUBMITTAL DATE:	2021/05/19	
SPEC. SYMBOL:		